

# NEMA Type 4X

## Continuous Hinge Single Door Clamped Cover Enclosures

### N4X Series Stainless Steel Enclosures

#### **STANDARD FEATURES**

- Continuous hinge (removable hinge pin)
- Wall mounting feet
- Watertight urethane gasket
- Stainless steel clamps and screws
- Four #10-32 weld nuts for optional mounting panels (mounting panels sold separately)
- Grounding studs on inside of box and cover

#### **DESIGN OPTIONS**

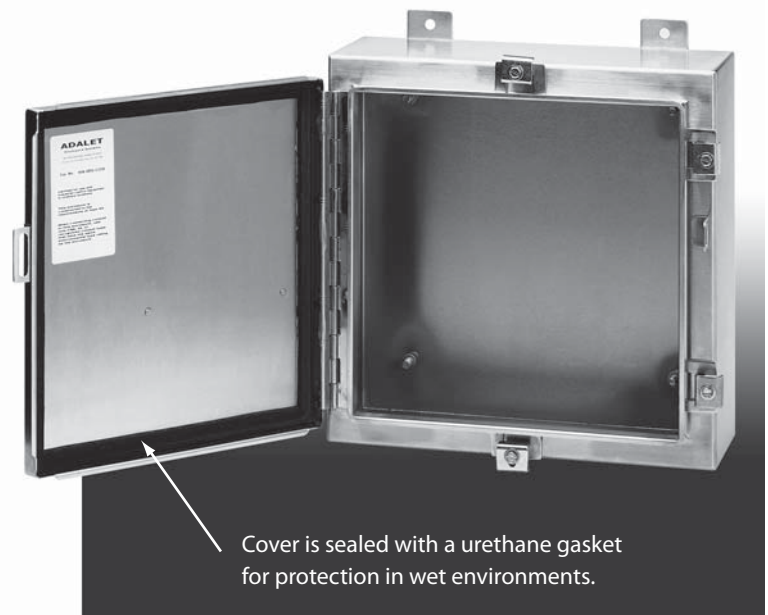
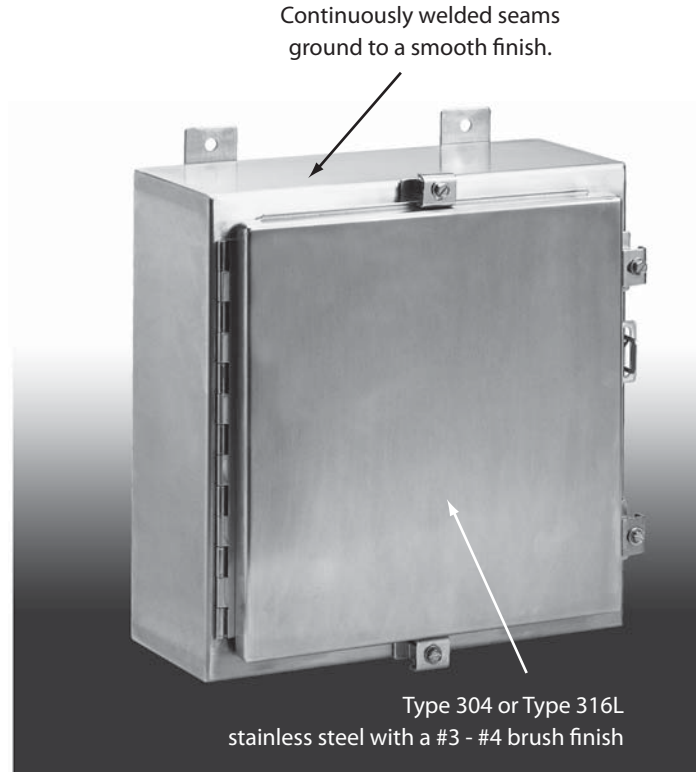
- Painted steel and stainless steel mounting panels
- Laser cut entries or cut-outs
- Terminal blocks or other component assembly
- Print pockets
- Swing panel / dead front panel
- Padlock provisions
- Quick release latches
- Epoxy paint or powder coating
- Custom sizes
- 12 gauge material thickness
- Drip shields and sun shields
- Window kits

#### **MATERIAL**

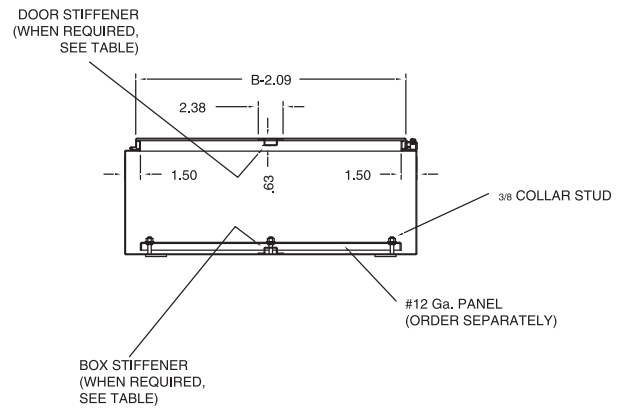
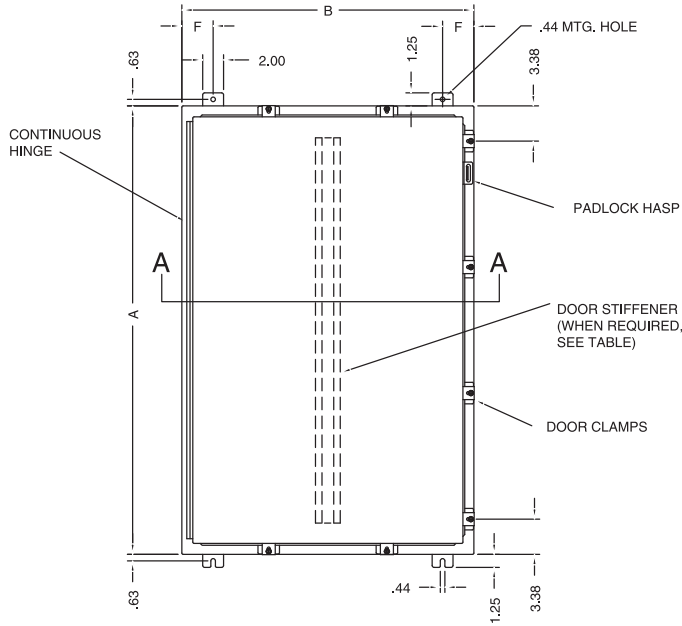
- 14 and 16 gauge / Type 304 or 316L stainless steel
- Stainless steel hardware
- #3 or #4 brushed finish

#### **CERTIFICATIONS**

- NEMA Type 3, 3R, 4, 4X, and 12
- UL50
- cULus Listed



SECTION A-A



SECTION B-B

